

# Residlift The home solution



# Residlift

## The lift for your home

Whether you are a lift installer, a consultant or a homeowner looking for an efficient lift solution which takes up little space, is easy to install and increases a property's value, we are delighted to offer you simply the best solution on the market.

**Residlift** is a stylish residential lift suitable for all kinds of different environments. **Residlift** offers freedom of movement within the home to those for whom stairs represent an insurmountable obstacle, and actively improves their quality of life.

**Residlift** has been specially designed for passenger transport in family homes, which usually have very limited space available for lift installation. Its competitive sizing and significant advantages over the competition make **Residlift** the stand-out solution for family homes.

In most existing buildings where lack of space limits or rules out normal pit depth or headroom, the straightforward solution is **Residlift**.

**Residlift** can be installed both indoors or outdoors.





## An elegant lift at your own home

**Residlift** shows that a lift can be a warm and welcoming space within any home.

**Residlift** is designed to fit in with any surroundings - and to effortlessly improve them. The lift travels inside its own modular freestanding structure which can be supplied in a wide choice of colors or finished with glazed walls by request, adding a touch of sophistication to any home.

We offer a full range of robust and elegant lift cars which are able to satisfy the most demanding tastes and needs, being ideal to harmonize with a great variety of architectural environments.

## No major building work. No pit

Installing a **Residlift** involves no complicated building work thanks to the robust freestanding structure which forms the lift shaft and which only requires the space which it itself takes up. All this not only gets rid of the major nuisance involved in having building work carried out inside your own home, but also represents major financial savings.

If required, **Residlift** can also be installed within a masonry-built shaft.

## The safety and reliability you expect

The safety features supplied as standard with the **Residlift** are carefully designed to make it safe and reliable. Passenger safety is ensured by a 2D optically-activated lift car stop mechanism which brings the lift car to a smooth stop on detection of the slightest movement within that area.

We also offer lift users optional extras to increase security according to their particular needs. Keyed switches can be fitted in order to prevent use by unauthorized personnel. A safety device is available, in case of power cuts, which automatically returns the car to the ground floor to allow the safe exit of lift passengers.

**Residlift** is compliant with the 2006/42/EC Machinery Directive and offers three-year warranty\*.

## An energy efficient and environmentally friendly product

**Residlift** guarantees low energy consumption and running costs by using the standard household 220-240V outlets. In fact, a **Residlift** consumes as much energy as a standard household appliance.

**Residlift** can optionally operate with an ecologically-sound biodegradable fluid which is not environmentally harmful.

---

*\*Three-year warranty against defects in manufacture of mechanical parts and one-year warranty against defects in manufacture of electrical items, traction machine and door*



# Standard technical features

<i>Rated speed</i>	0.15m/s
<i>Rated loads</i>	250, 315 or 385kg
<i>Entrances</i>	Single, double at 90° or 180°
<i>Hydraulic power unit</i>	HL 6000, central
<i>Pistons</i>	HL 6000 pistons, 65 & 75mm
<i>Maximum travel</i>	12 m
<i>Power</i>	1.5 kW or 2.2 kW
<i>Headroom</i>	Car internal height + 350mm
<i>Minimum pit depth</i>	100mm
<i>Car internal height</i>	2100mm (vertical clearance: 2000mm)
<i>Car widths</i>	From 600 to 1100mm (see tables)
<i>Car depths</i>	From 750 to 1400mm (see tables)
<i>Min. necessary shaft width</i>	Car width + 255mm
<i>Min. necessary shaft depth</i>	Car depth + 110mm
<i>Horizontal entrance clearance</i>	600, 700, 800 or 900mm. (800 mm for wheelchairs types a & b as per pr. En 12/83 and pr. En 12/84)
<i>Vertical entrance clearance</i>	2000mm
<i>Hydraulic hose</i>	Maximum length 5m

\* Information valid for RL200, RL300 and RL Stainless steel cars.  
For scenic cars please contact our Sales Dept.

The **Residlift** can be installed in a built shaft or a metal structure.

## Standard equipment

Hinged doors with small glass panels and 125 mm door frame. Epoxy RAL 7032 finish EN81-58 fire-resistant for 120 minutes

---

No lift car door

---

2D emergency lift car stop mechanism

---

Lift car: skinplate finish (RL200 series)

---

Microprocessor-based control system

---

Landings: call push-buttons mounted on the door frame

---

Lift car: stainless steel button panel set in centre of wall closest to mechanism

---

Acoustic alarm button

---

Rubber floor (Ref. S32GN)

---

No handrail

---

Emergency lighting

---

Guide rails: 5m

---

No mirror

---

Information notices

---

Pressurestat

---

Manually-operated emergency pump for raising car to landing

---

Hold-to-run Lift Control System

---

Stop Switch

---

LED lighting

---

Single Phase Supply

---

# Available Extras

## Lift and hydraulic motor control cabinet

E-400 lift and hydraulic motor control cabinet size (700w x 400d x 1500mm h) for speed=0.15m/s

## Floor

20mm granite car floor finish with 120 mm pit depth

## Landing doors

- Hinged doors with small glass panels 100 mm. frame option (EN81-58 fire-resistant)
- Landing door, Automatic hinged doors with large glass panels
- Horizontal entry clearance: 650, 750 or 850 mm
- Vertical entry clearance: 1800, 1850, 1900 or 1950 mm.
- Option motorized

## Car door

Automatic bus-type lift car doors with or without glass window, flat or folding (+ 65mm. shaft depth per entrance)

## Control electronics

- Radar sensor technology with automatic landing door
- Push-button door opening, no in-car Stop button when there is car door
- Restricted-use key
- Portable inspection kit
- External push-button panels
- Visual and acoustic overload signal (PR. EN 81-41) Voice announcer
- Car Light timer
- Automatic emergency rescue device







## Car

- Full-height mirror, one-third of car wall width
- Panoramic lift car. RAL9006 silvered paint finish option for floor, ceiling and safety catches
- Stainless steel round handrail
- Internal lift car height: 2000 o 2200
- Handrails on side wall of car (prEN81-41)

## Entrances

Three entrances to be studied for each project

## Shaft lighting

In pit & top of shaft

## Guides

- Guide rail 2,5m
- Guide rail oil spill collector

## Structure

- Steel shaft structure
- Structure painted in a different colour (RAL)

## Digital indicators

LCD display within lift car LCD display on outside door

## Eco

\*Biodegradable non-contaminant lubricant (for the central hydraulic motor)

## Others

- Main electrical supply box
- Ramp of 100mm (without pit)
- Ramp of 120mm (without pit and granite floor in the car)
- Installation tools: Jigg and lifting hook or safety gear releasing pedal
- Telephone in lift car, gondola type or sited within button control panel (prEN81-41)
- Manually-operated emergency pump for raising car to landing (prEN81-41)
- Hold-to-run lift control system (prEN81-41) Information notices as specified in prEN81-41



## RL 200

The RL 200 model offers a highly functional design, based on its straightforward modular panel construction and a fresh and up-to-date range of colour options - an unbeatable combination of value for money and guaranteed reliability.

- Car wall panels finished in plastic laminates (skin plate) in a choice of colours
- Hard-wearing floor finishes in rubber, vinyl, marble or granite
- Direct in-car lighting with LED spots



## RL 300

The RL 300 car has a clean minimalist design, is extremely robust and versatile and the numerous interior design options ensure a perfect match with the look of your home or office.

- Car wall panels fixed to the metal structure and finished in durable and decorative Formica laminate, available in a wide range of colours
- Hard-wearing floor finishes in rubber, vinyl, marble or granite
- Direct in-car lighting with LED spots



2 ^



# RL stainless steel

The stainless steel lift car is an elegant, sophisticated and state-of-the-art option, which fits in well with any surroundings - and always impresses.

- Car wall panels in natural stainless steel, elephant skin or linen finish
- Hard-wearing floor finishes in rubber, vinyl, marble or granite
- Direct in-car lighting with LED spots







## RL customised

Do you want your lift car specially made to fit in perfectly with the design of your home or office? Are you looking for a completely exclusive lift which corresponds exactly to your own tastes and needs? With our RL Customised model and our in-house printing and pressing plant, all you need to do is tell us the exact motifs, images or decorative designs\* you want for your lift car, and we will manufacture it to suit.

- Car wall panels fixed to the metal structure and finished in durable and decorative Formica laminate, available in a wide range of colours, combined with screen-printed glass panelling
- Hard-wearing floor finishes in rubber, vinyl, marble or granite
- Direct in-car lighting with LED spots

---

*\*To be printed, the image must be at least ¼ of the real size, chromatically in CMYK and not less than 300dpi*



## RL panoramic

Panoramic lift cars are strikingly beautiful and can be the ideal choice in spacious or outdoor settings.

- Car wall panels in laminated safety glass (5+0.76+5mm)
- The section of the car wall where the car operating panel is mounted is finished in stainless steel or plastic laminate (with a decorative design, if desired)
- Hard-wearing floor finishes in rubber, vinyl, marble or granite
- Direct in-car lighting with LED spots

# Wall panels

## Skinplate



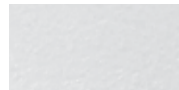
P 222



P 260



P 270



P 280



P 412



P 422



P 432



P 201



P 202



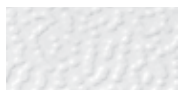
P 203



P 204



P 205



P 206



P 208



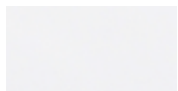
P 209

---

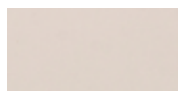
## Formica



P 301



P 302



P 303



P 304



P 305



P 306



P 307



P 308



P 309



P 310



P 311



P 312



P 313



P 314



P 315



P 316



P 317



P 318



P 319



P 320



P 321



P 322



P 323

# Wall panels

## Stainless Steel



Inox



Elephant skin



Inox Linen

# Floors



Ref.: S32 GN



Ref.: S52 GN



Ref.: S62 GG



Ref.: S27 MB



Ref.: S29 MB

# Lift car detailing



2D optically-activated emergency lift car stop mechanism



Stainless steel handrails



Push-buttons

# Available door options

Landing doors are available hinged as well as motorized. The motorized option offers a semi-automatic landing door incorporating a motor which uses an operating arm to open and close the door when the car arrives at landing level.

With the motorized landing door system, we offer as an optional extra a radar device which automatically detects the presence of someone waiting at the landing and opens the door for them without the lift call button being pressed.

We also offer the option of fitting bus-type lift car doors, programmed to remain open when the car is at rest.

Other door options are also available. Please contact us for further information.



Hinged doors with small glass panels



Automatic bus-type lift car doors



Hinged doors with large glass panels

---

# Display



**LCD.** Car position and direction indicator that also shows a message when the lift is in error mode. Available in 3" and 5" versions.



**Seven inches colour display** which provides information of floor and direction.

---

# Car lighting



Ceiling with LED spots



# 250Kg model: measurements

## 250Kg · 1 ENTRANCE (MACHINERY SIDE-MOUNTED) & 2 ENTRANCES AT 180°

Lift car		Shaft interior		Max entry clearance	Frame width
A	B	C	D	E	F
800*	1250*	1055	1360	700	950
900*	1100	1155	1210	800	1050
1000	1000	1255	1110	900	1150
1100	900	1355	1010	900	1150
685**	750**	940	860	600	850

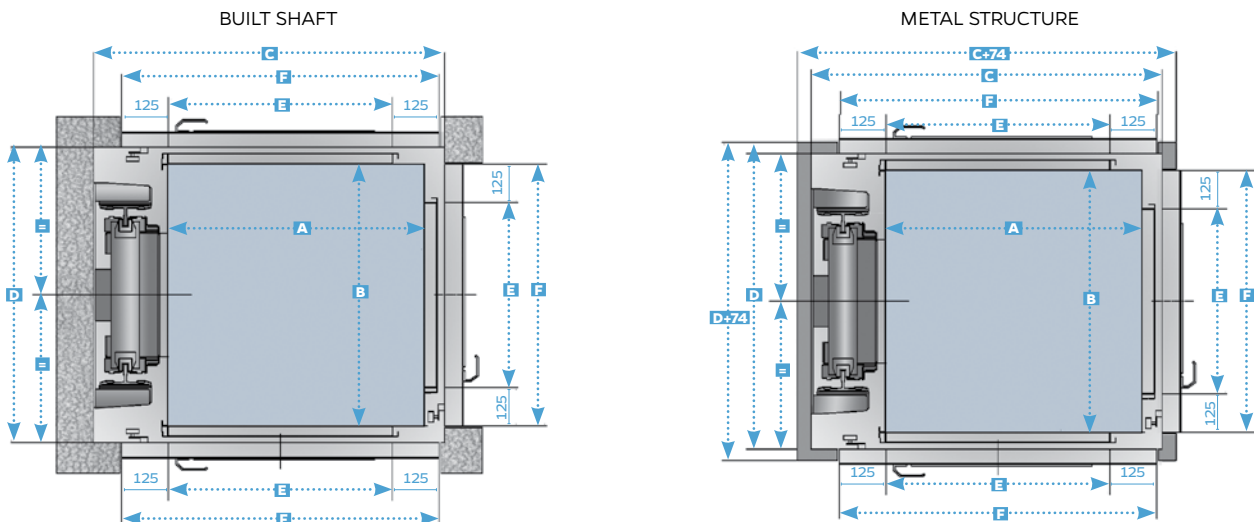
## 250Kg · 1 ENTRANCE (MECHANISM REAR MOUNTED)

Lift car		Shaft interior		Max entry clearance	Frame width
A	B	C	D	E	F
800	1250	1055	1360	900	1150
900	1100	1155	1210	900	1150
1000	1000	1255	1110	800	1050
1100	900	1355	1010	700	950
600**	770**	855	880	600	850

## 250Kg · DOUBLE ENTRANCE AT 90° & TRIPLE ENTRANCE

Lift car		Shaft interior		Max entry clearance	Frame width
A	B	C	D	E	F
800 *	1250*	1055	1360	700/900	950/1150
900*	1100	1155	1210	800/800	1050/1050
1000	1000	1255	1110	900/700	1150/950
1100	900	1355	1010	900/600	1150/850
685**	850**	940	960	600/600	850/850

\* For Type A wheelchairs (prEN81-41) // \*\* Smaller lift car available





# 315Kg model: measurements

## 315Kg · 1 ENTRANCE (MACHINERY SIDE-MOUNTED) & 2 ENTRANCES AT 180°

Lift car		Shaft interior		Max entry clearance	Frame width
A	B	C	D	E	F
900*	1400*	1155	1510	800	1050
800*	1400	1055	1510	700	950
1000	1250	1255	1360	900	1150
1100	1125	1355	1235	900	1150
800**	750**	1055	860	700	950

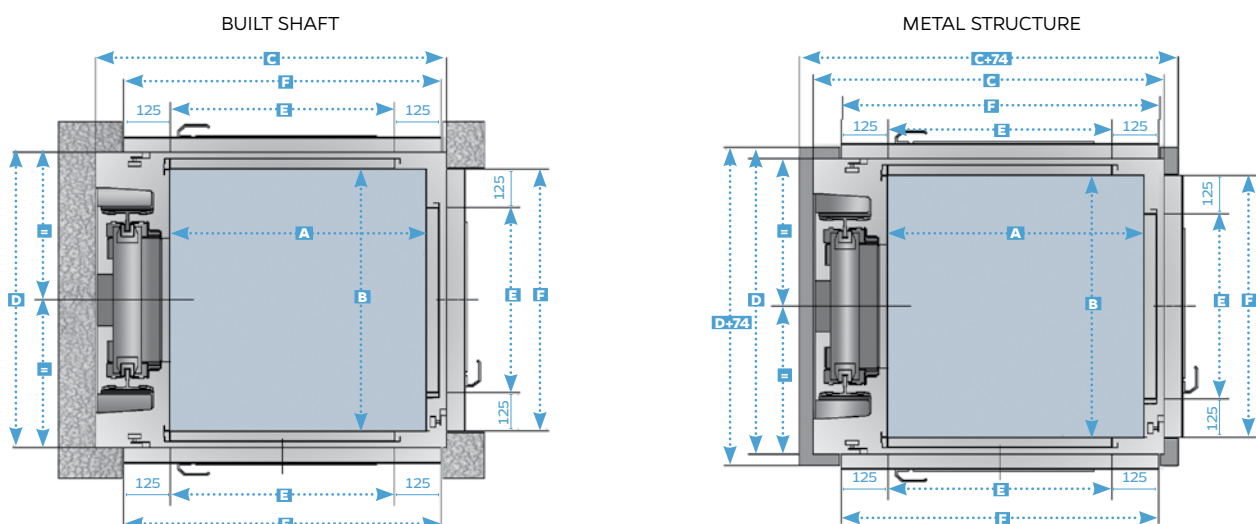
## 315Kg · 1 ENTRANCE (MECHANISM REAR MOUNTED)

Lift car		Shaft interior		Max entry clearance	Frame width
A	B	C	D	E	F
1100	1000	1355	1110	800	1050
900	1300	1155	1410	900	1150
1000	1250	1255	1360	900	1150
1100	1125	1355	1235	900	1150
700**	870**	955	980	700	950

## 315Kg · DOUBLE ENTRANCE AT 90° & TRIPLE ENTRANCE

Lift car		Shaft interior		Max entry clearance	Frame width
A	B	C	D	E	F
900*	1400*	1155	1510	800/900	1050/1150
800*	1400	1055	1510	700/900	950/1150
1000	1250	1255	1360	900/900	1150/1050
1100	1125	1355	1235	900/800	1150/1050
800**	950**	1055	1060	700/700	950/950

\* For Type A wheelchairs (prEN81-41) // \*\* Smaller lift car available



ALL DIMENSIONS EXPRESSED IN MILLIMETRES

# 385Kg model: measurements

## 385Kg · 1 ENTRANCE (MACHINERY SIDE-MOUNTED) & 2 ENTRANCES AT 180°

Lift car		Shaft interior		Max entry clearance	Frame width
A	B	C	D	E	F
1100*	1400*	1355	1510	900	1150
1100*	1200	1355	1310	900	1150
1000	1300	1255	1410	900	1150
900	1400	1155	1510	800	1050
900**	1100**	1155	1210	800	1050

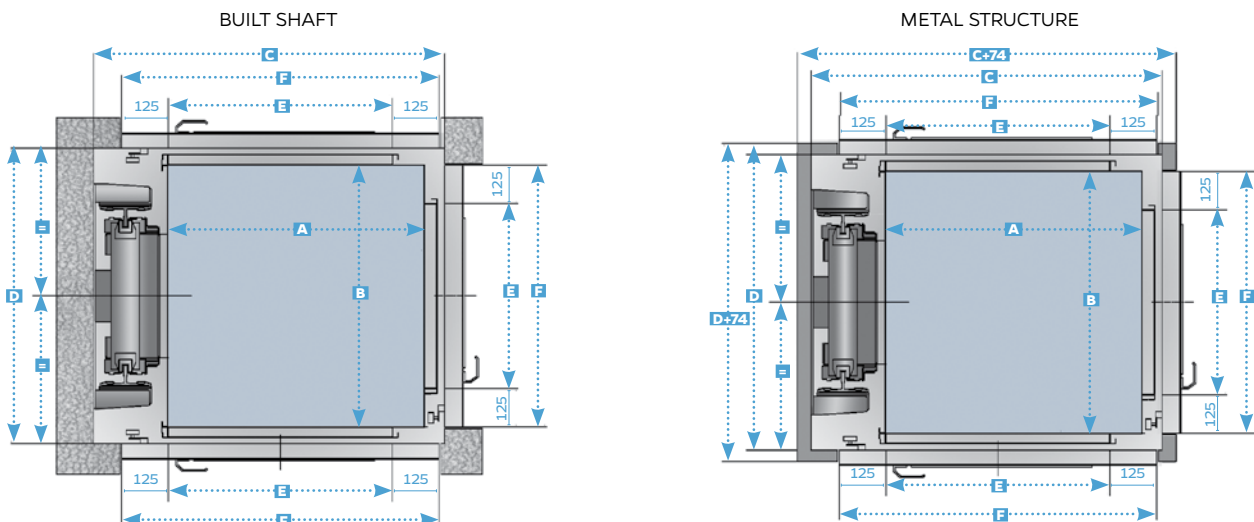
## 385Kg · 1 ENTRANCE (MECHANISM REAR MOUNTED)

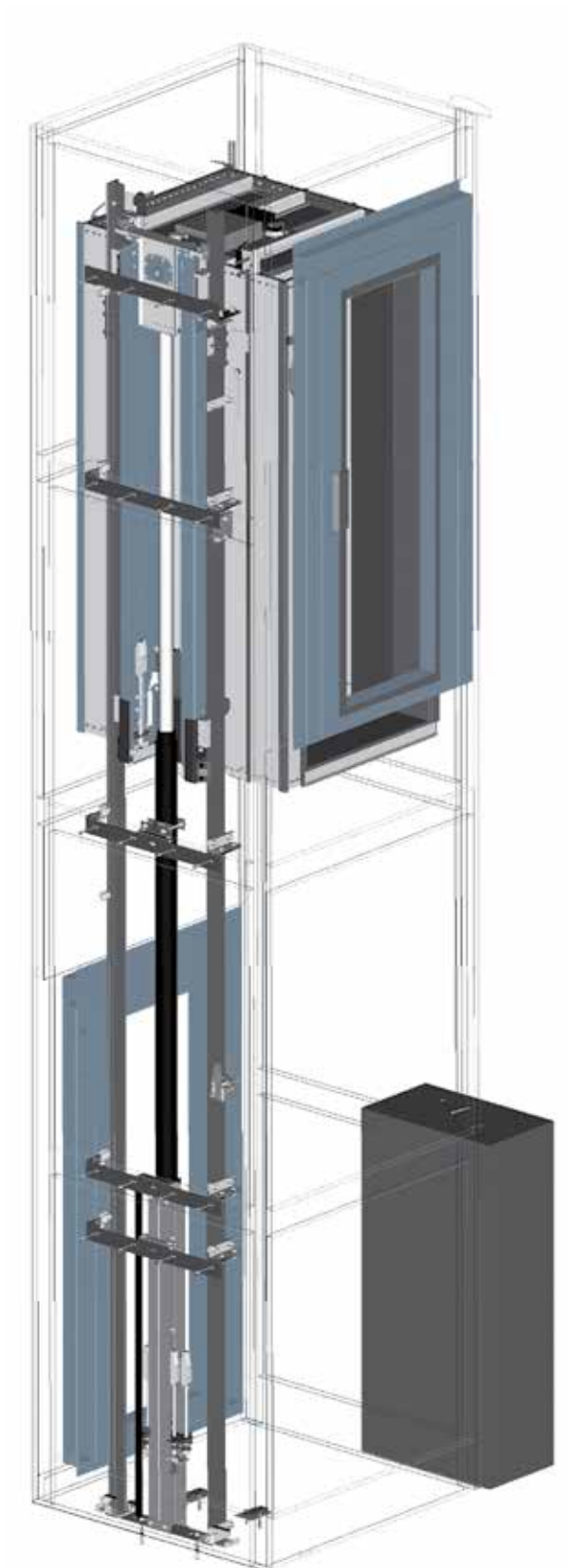
Lift car		Shaft interior		Max entry clearance	Frame width
A	B	C	D	E	F
1100	1400	1355	1510	900	1150
1100	1200	1355	1310	900	1150
1000	1300	1255	1410	900	1150
900	1400	1155	1510	900	1150
900**	970**	1155	1080	800	1050

## 385Kg · DOUBLE ENTRANCE AT 90° & TRIPLE ENTRANCE

Lift car		Shaft interior		Max entry clearance	Frame width
A	B	C	D	E	F
1100*	1400*	1355	1510	900/900	1150/1150
1100*	1200	1355	1310	900/900	1150/1150
1000	1300	1255	1410	900/900	1150/1150
1100	1125	1355	1235	900/800	1150/1050
900**	1100**	1155	1210	800/800	1050/1050

\* For Type A wheelchairs (prEN81-41) // \*\* Smaller lift car available





### Lift Cars

**Residlift** offers the choice of five different lift car models to fit in perfectly with every type of interior design. All our cars are carefully designed and manufactured and stand out for their exceptional quality and durability.

### Doors

See all available door options in page 22.

### Durable Finishes

Most of the shaft lift components such as the car frame, brackets etc. are supplied epoxy coated, which protects the parts against corrosion.

### Control System

Our Altamira lift control system - developed and designed from start to finish by our own R&D+i department - governs Residlift's operation with surgical precision, exploiting to the full its top-class specifications. The Altamira control system requires minimal wiring, thanks to its smart peripheral components using CAN bus networking.

### Pit

With **Residlift** you can thankfully forget about the major inconvenience of digging out a lift shaft pit. The freestanding structure incorporates its own 100mm pit and includes a simple ramp. Where the shaft is masonry-built, pit depth is only 100mm.



**Export Department**

C/ Adarzo 167-B · 39011 Peñacastillo · Santander, Spain

**Tel:** (00 34) 942 34 60 20 · **Fax:** (00 34) 942 35 53 64 · **E-mail:** comex@imem.com

[www.imemlifts.com](http://www.imemlifts.com)



**EFQM**  
Business  
Excellence



**ISO 9001**  
Quality  
Management



**OHSAS 18001**  
Occupational  
Health & Safety  
Management



**ISO 14001**  
Environmental  
Management

All the information contained in this catalogue is the property of IMEM Lifts. The partial or total reproduction of its contents without the prior written authorisation of IMEM S.L. is strictly forbidden. The distribution or copying of photographs, logos or any other graphic material contained herein is strictly forbidden, IMEM Lifts being the acknowledged sole proprietor of all intellectual property rights pertaining.

IMEM reserves the right to change specifications, options and colours in this catalogue. All images in this brochure are for description purposes only. Colours and materials might not be exactly the same as the actual ones.